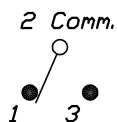


RECOMMEND P.C.B. LAYOUT



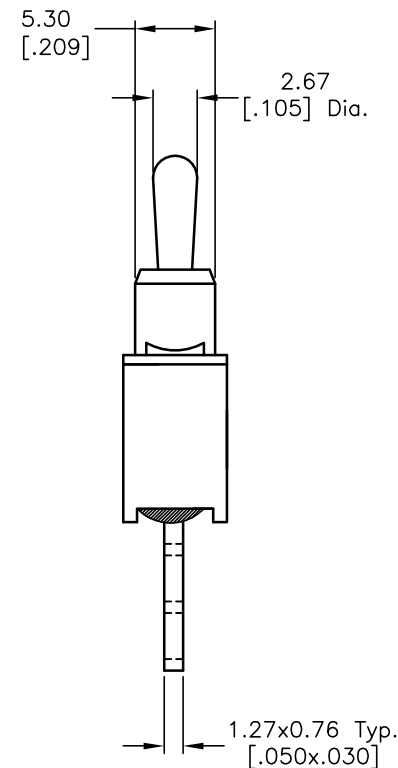
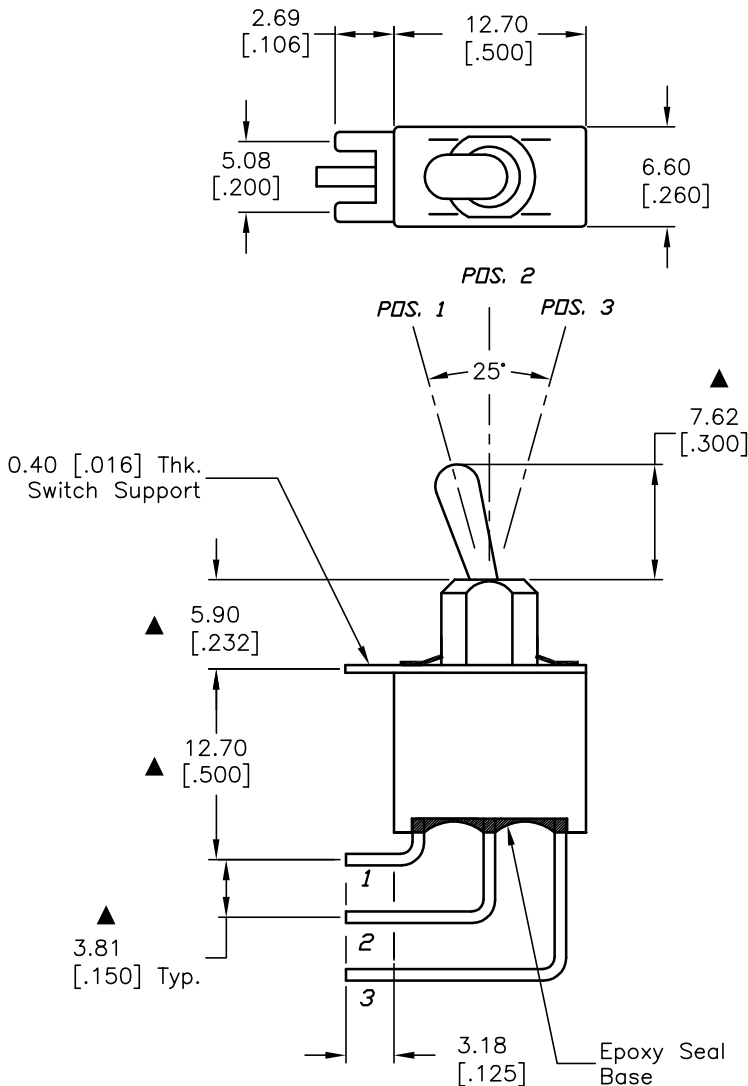
CIRCUIT: SPDT
CONTACT CONFIGURATION

SWITCH FUNCTION		
PDS. 1	PDS. 2	PDS. 3
<DN>	OFF	<DN>
2-3	OPEN	2-1

<DN>=MOMENTARY

NOTES:

- ALL DIMENSIONS IN MM [INCH]
- GENERAL TOLERANCE: X.X=±0.4
X.XX=±0.25
- TERMINAL NUMBERS FOR REF ONLY
- RATING: 5A @120VAC or 28VDC
2A @250VAC
- FIXED TERM. & MOVING CONTACT:
COPPER ALLOY W/SILVER PLATE
- ELECTRIC LIFE: 30,000 MAKE-AND-BREAK CYCLES
AT FULL LOAD.
- INSULATION RESISTANCE: 1,000 MEGA-OHM MIN.
- DIELECTRIC STRENGTH: 1,000 V RMS @SEA LEVEL.
- OPERATING TEMP.: -30°C to 85°C
- ▲ DENOTES CRITICAL PARAMETER.



E-SWITCH®

TITLE				
100AWSP4T2B4M7QE				
SCALE	DATE	DR	DWG	REV
2:1	10/15/04	AR	T104012	A

A	14406	RELEASED FOR PRODUCTION	10/15/04	AR
REV.	ECN No.	DESCRIPTION	DATE	CHKD
THE INFORMATION CONTAINED IN THIS DOCUMENT IS PROPRIETARY TO E-SWITCH AND IS NOT TO BE COPIED OR TRANSFERRED				